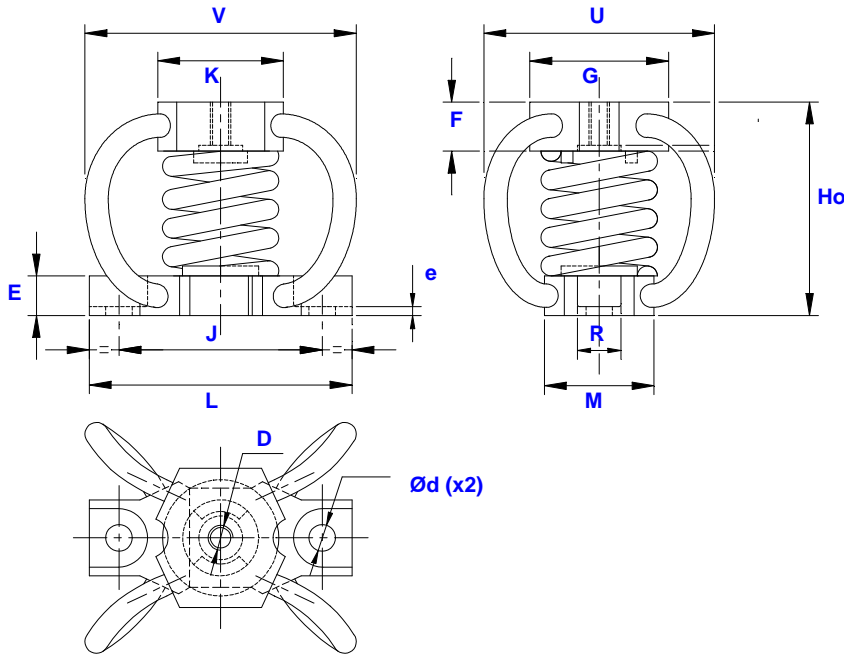


low frequency metal isolators standard line "Spring-Polycal"

series
RP35

definition



Dimensions are in mm.

Dimensions for reference only.

- All metal low frequencies anti-vibration mounts for vertical loading.
- Exceptional reliability and long life.
- High damping at resonance.
- No ageing.
- Corrosion resistant.
- Unequaled temperature range : -180°C +300°C.
- Great adaptability / versatility. Specials on request (high static load, etc.)



Series

Materials and finishes

RP35

Cable :
stainless steel.
Interfaces :
aluminium alloy.
Spring :
high tensile steel
paint or phosphate
coating
Insert :
stainless steel.

Dimensions

Type (mm)	U	V	Ho	G	K	L	M	E	e	F	R	J	D	d
-3	110	130	120	47,5	42,5	89,4	37,5	13,4	3	16	20	69,4	M10	7
-4	140	170	146	61,5	59	118	50	18,2	4	24	28	89,6	M12	9
-5	170	210	171	81,5	83	137	64	28,2	8	36	29	110	M16	13,5

Load

Type

min / max capability (kg)	RP35-3	RP35-4	RP35-5
	1	16 35	67 153
2	23 52	not standard	not standard
3	40 90	120 273	370 857
4	67 154	193 437	470 1079
5	not standard	260 602	684 1598
6	not standard	not standard	970 2233

Example :
RP35-41

R P 3 5 - 4 1

Prefix :
"Spring-Polycal" mount
from the **RP35** series
Natural frequency from 3 to 5 Hz

Model : -4
height Ho : 146 mm
width U : 140 mm
width V : 170 mm

Suffix : 1
Load capability from
67 kg at 5 Hz to
153 kg at 3 Hz

01/07/2013

Socitec
BP 33, 78501 Sartrouville cedex - France
Telephone : +33 (0)1 61 04 60 00
Fax : +33 (0)1 39 14 03 27
http://www.socitec.com
e-mail : shock-intl@socitec.com

Document subject to modification without prior notice



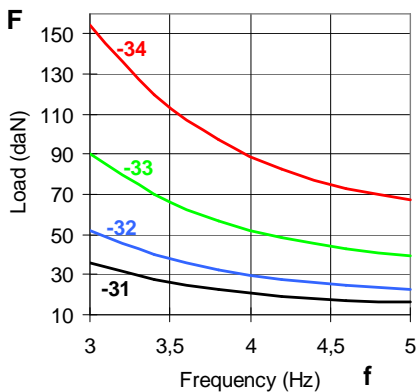
series

RP35

low frequency metal isolators

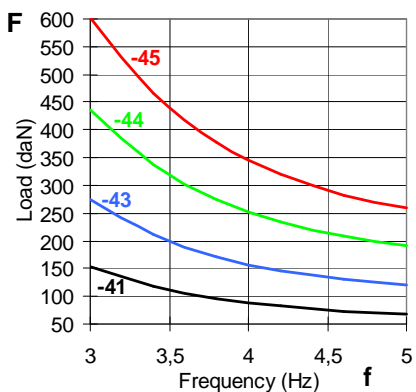
standard line "Spring-Polycal"

performances*



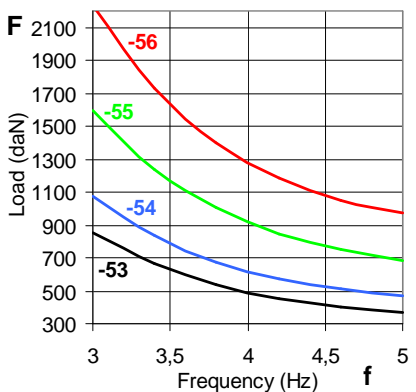
Compression

RP35-3 series		Model	1	2	3	4				
Max static	F daN		34,3	51	88,3	151				
	d mm		27	27	27	27				
Max vibration	2a mm		2	2	2	2				
	f Hz		3	3	3	3				
Min static	F daN		15,7	22,5	39,2	65,7				
	d mm		10	10	10	10				
Max vibration	2a mm		2	2	2	2				
	f Hz		5	5	5	5				



Compression

RP35-4 series		Model	1	3	4	5				
Max static	F daN		150	268	429	590				
	d mm		27	27	27	27				
Max vibration	2a mm		2	2	2	2				
	f Hz		3	3	3	3				
Min static	F daN		65,7	118	189	255				
	d mm		10	10	10	10				
Max vibration	2a mm		2	2	2	2				
	f Hz		5	5	5	5				



Compression

RP35-5 series		Model	3	4	5	6				
Max static	F daN		841	1058	1568	2190				
	d mm		27	27	27	27				
Max vibration	2a mm		2	2	2	2				
	f Hz		3	3	3	3				
Min static	F daN		363	461	671	952				
	d mm		10	10	10	10				
Max vibration	2a mm		2	2	2	2				
	f Hz		5	5	5	5				

- ① Max static load (F) with corresponding deflection (d)
- ② Min static load (F) with corresponding deflection (d)
- ③ Uncoupled resonant frequency (f) under static loading ① or ② and max peak to peak sinusoidal vibration input (2a)

* **Important** : Performance characteristics are given here for reference only.
They can be decreased or increased under specific conditions.
Contact us.

01/07/2013

Typical vibration

Direct or indirect isolation of rotating or vibrating machinery
Generating sets, compressors, pumps, fans, air conditioning units, engines, vibrating tables ...

Applications :

Passive isolation of sensitive equipment
Test and measuring equipment, laboratory equipment, premises ...

Socitec
BP 33, 78501 Sartrouville cedex - France
Telephone : +33 (0)1 61 04 60 00
Fax : +33 (0)1 39 14 03 27
http://www.socitec.com
e-mail : shock-intl@socitec.com



Document subject to modification without prior notice