

Product description

Sound-insulating ceiling hangers for plaster ceilings suspended with 60/27 profiles. The fittings are electro-galvanised steel with steel springs of thermoplastic elastomer as vibration insulation.

Click hangers are available in four types:

- GREY for loads between 3 kg and 15 kg
- GREEN for loads between 15 kg and 30 kg
- BLUE for loads between 30 kg and 51 kg
- RED for loads between 50 kg and 76 kg

Click hangers are available for M6 and M8 threaded rods.

Safety device withstands pressures exceeding 326 kg. The service life is 30 years. EN 13964-2006.

Application

Ceiling hangers are used for sound insulation in connection with suspended flat plaster ceilings. The hangers are designed to bear the gypsum ceiling and make it vibration-proof from the existing ceiling. It is suitable for loads between 3 kg and 76 kg.

Attenuation

Laboratory measurements show that sound-insulating ceilings with spring hangers improve sound insulation in upper-storey floors by up to 30 dB. The sound reduction index R'_w is typically 72 - 84 dB after proper installation of the ceiling, but depends on the existing ceiling construction. In practice, the improvement will be

somewhat less, depending on the ceiling construction and flanking transmission through the walls.

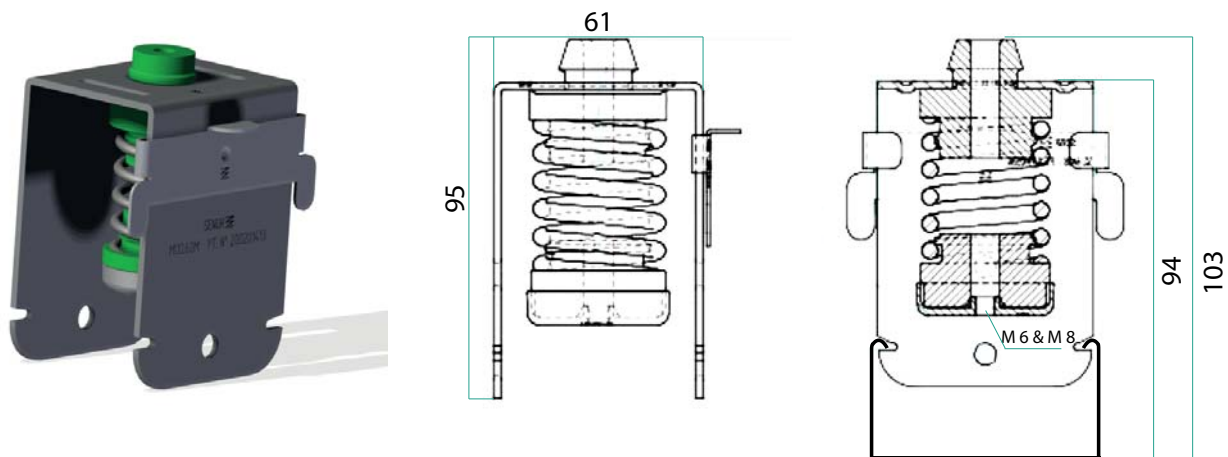
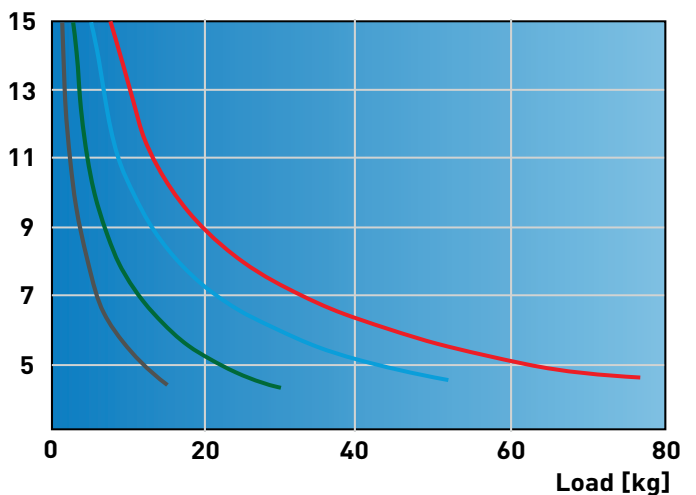
Advantages

The ceiling hangers insulate well throughout the audible frequency range - even against low tones. The ceiling hangers are quick and easy to install.

Installation

Installation with the click system is quick and easy. Mount the hangers at the correct height on the threaded rods and click the profiles in place. Push the safety device into place with your finger, and the ceiling is finished. The sound ceiling should hang freely without direct contact with the other walls, ceiling, pipe penetrations, etc.

Measured Natural Frequency [Hz]



Dimensions including rail