

Hydromounts

Mini, Small, Medium, Large

Product Description

Hydromounts consist of a spring and a hydraulic shock absorber assembled in a single compact unit.

To achieve good insulation, low attenuation is required, and to restrict movement, high attenuation is required. Hydromounts work with these 2 conflicting factors so the optimum conditions are achieved.

Technical Characteristics

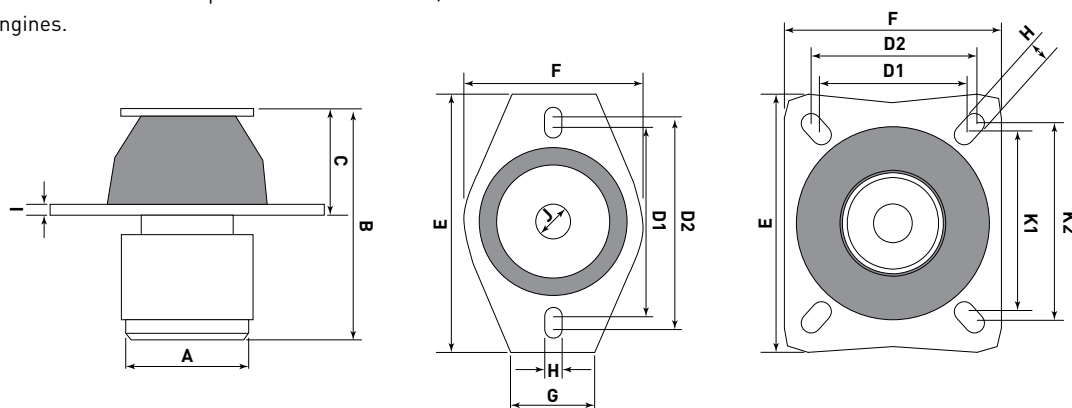
- The Hydromount is a secured mount designed to ensure that the top and bottom mounting plates are always connected, even when subjected to high shock loads
- The mount is very robust and is recommended for vehicles that operate in uneven terrain
- Metal parts are electro galvanized



Applications

Hydromounts are primarily designed for vibration isolation and stability of cabs in vehicles used in rough terrain, agriculture, forestry, etc. In addition to vibration isolation and stability the mount also offers excellent comfort for the operator of the vehicle.

Hydromounts are also used to support engines that run at variable speeds and have uneven forces. Examples of this could be one, two or three cylinder engines.



Type	Load (kg) 40 Sh.	Load (kg) 50 Sh.	Load (kg) 60 Sh.	Load (kg) 70 Sh.
Mini	20	30	50	70
Small	60	100	145	180
Medium + Medium Rect.	100	150	200	250
Large + Large Rect.	235	295	345	410

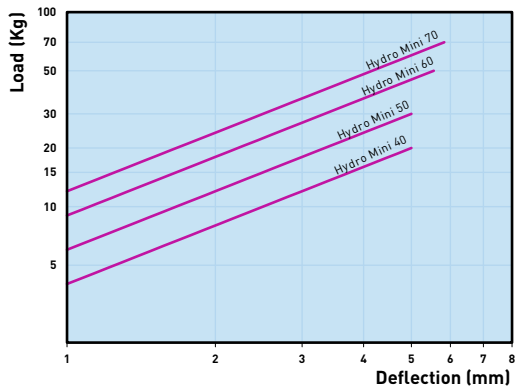
Type	A Ø (mm)	B (mm)	C (mm)	D1 (mm)	D2 (mm)	K1 (mm)	K2 (mm)	E (mm)	F (mm)	G (mm)	H (mm)	I (mm)	J (mm)
Mini	45	60	30	64	73	-	-	88	90	-	8.2	3	M8
Small	63	88	36	99	109	-	-	132	90	40	11	5	M10
Medium	63	96	45	99	109	-	-	132	90	40	11	5	M12
Medium Rect.	63	96	45	64	70	79.5	82.5	102	92	-	10.2	5	M12
Large	105	115	55	130	145	-	-	180	110	49	11	5	M16
Large Rect.	105	115	55	110	110	110	110	130	130	-	12	5	M20

Errors and Omissions Excepted (E&OE).

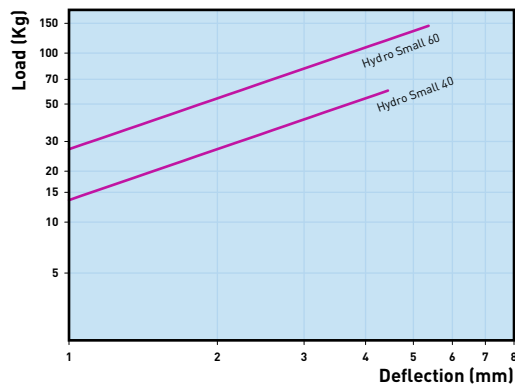
Hydromounts

Mini, Small, Medium, Large

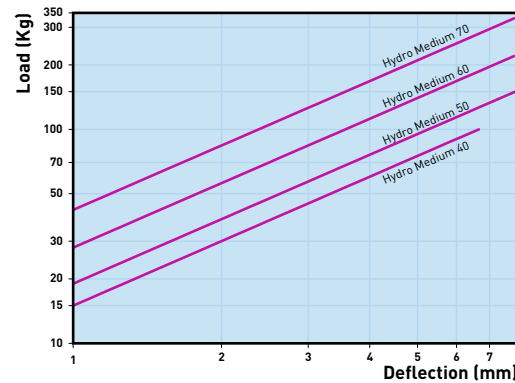
Mini



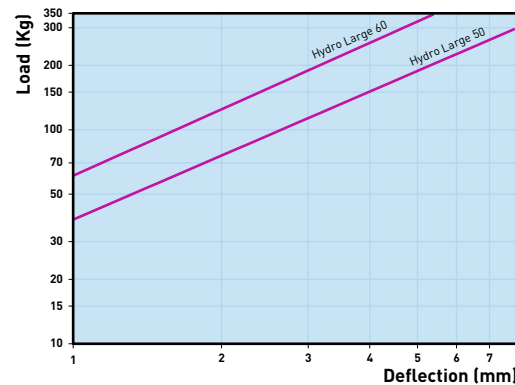
Small



Medium



Large



Errors and Omissions Excepted (E&OE).