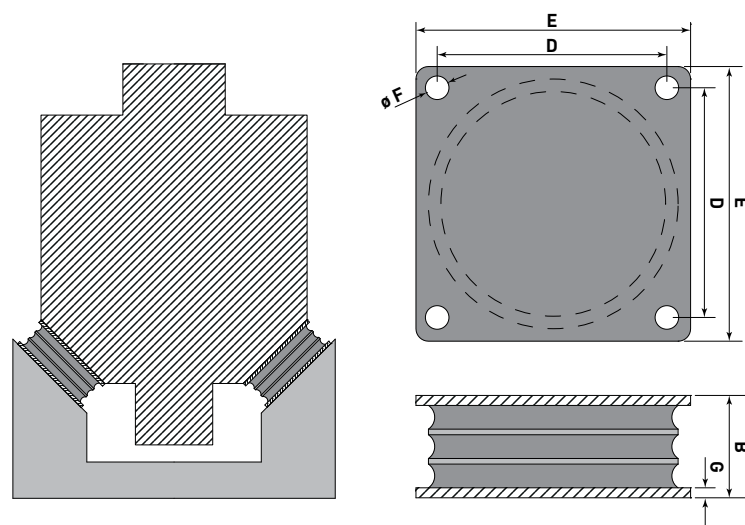


Product Description

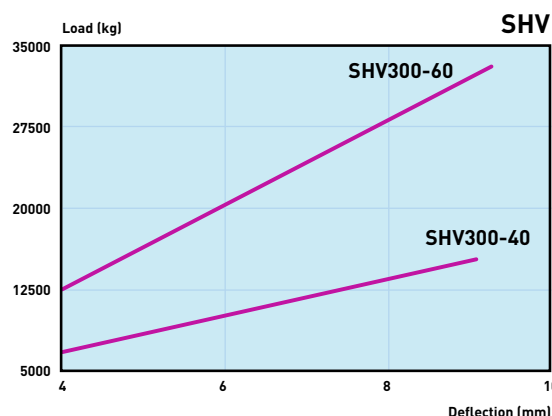
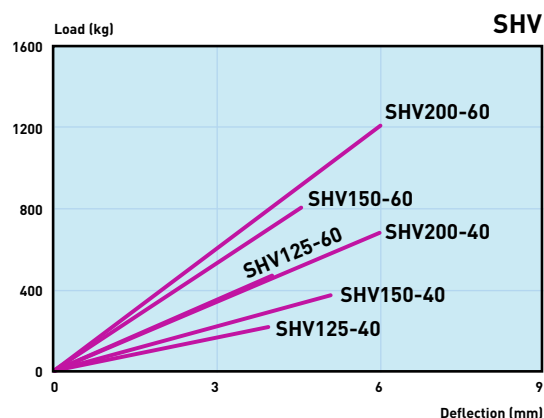
The SHV sandwich mount can handle large forces in compression, both in terms of static load and shock. The mount also provides good insulation when subjected to horizontal loads. The SHV mounts can be mounted flat or in combination "V" where the mounts are angled 45° towards the centre of gravity. The structure consists of 2 outer steel plates with 4 mounting holes, between round layers of rubber separated vulcanised steel plates. Each size of mount is available in 2 or more rubber hardness's, covering a load range between 2 and 30 tons.

Applications

High compression option, low transverse stiffness and relatively low additional height makes SH mounts ideal for heavy machinery of between 10 to 100 tons such as: large vibrator rollers, mills, presses, turbines, and generators.



"V" support of engine



Type	Dimensions					Weight (kg)	40 Sh		60 Sh	
	B (mm)	D (mm)	E (mm)	F (mm)	G (mm)		Max Load (kg)	Deflection (mm)	Max Load (kg)	Deflection (mm)
	SHV125	52	118	148	13.5		5	2.6	2250	3.6
SHV150	63	136	166	13.5	6	4.5	3750	4.9	7500	4.2
SHV200	85	184	220	17	8	9.2	6000	6.0	12000	5.9
SHV300	120	270	310	22	10	27	15000	9.1	30000	9.3