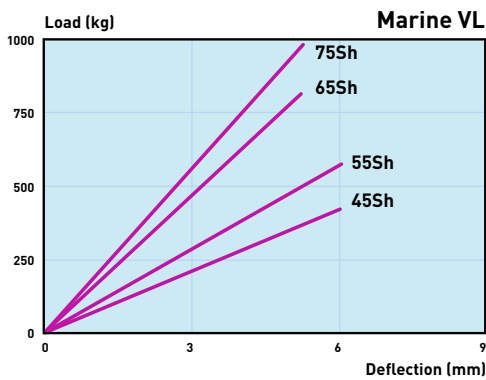
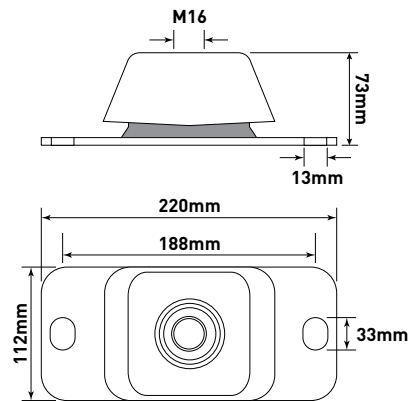


Product Description

Marine mounts were originally designed for use with marine propulsion engines and are therefore failsafe and can accommodate thrust. Marine mounts are popular throughout a wide range of industries. Offering high performance, easy installation and are a cost effective solution for reducing vibration. These mountings provide different stiffnesses in each direction, which provides optimum performance, particularly for internal combustion engines. Products can also be supplied with Lloyds Approval.

Applications

Marine propulsion engines, generator sets, diesel engines, vehicles, pumps and compressors.



Graphs give the max compression load in relation to the individual rubber hardnesses 45 Sh., 55 Sh. etc.

