

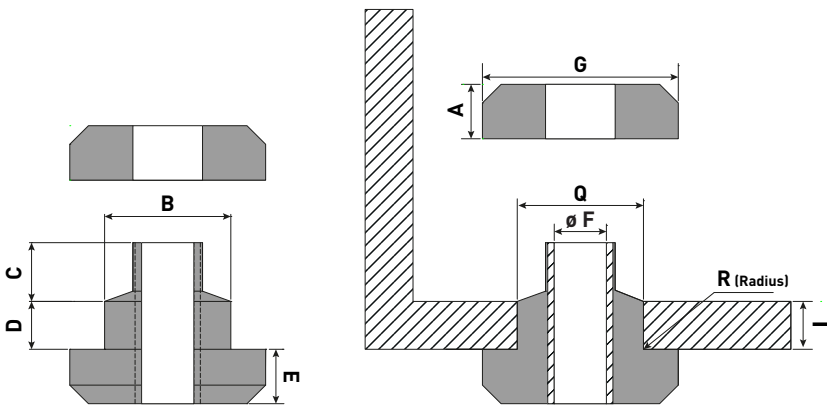
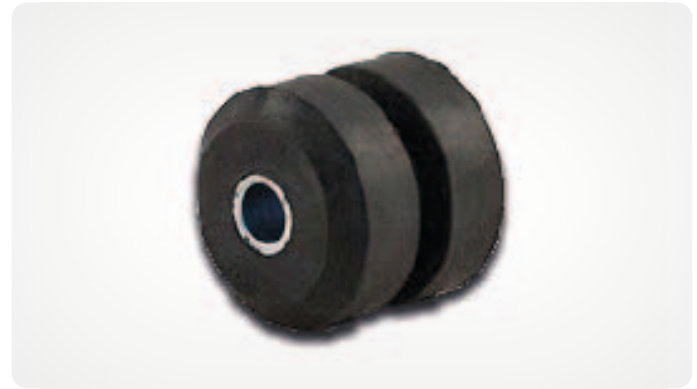
Product description

The CHM mount consists of two rubber parts, wherein the centre of the unit contains a metal pipe in order to reduce wear on the rubber, resulting in a longer service life.

This vibration unit is ideal for use where there are large dynamic loads and where a high level of stability is required.

Application

Machine houses, agricultural and forestry machines.



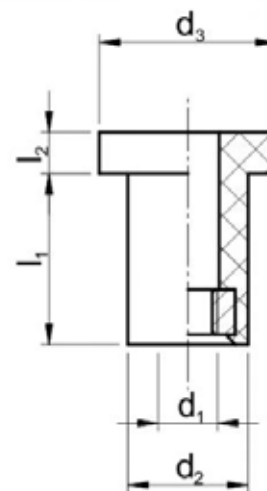
Type	A [mm]	W [mm]	C [mm]	D [mm]	E [mm]	Ø F [mm]	G [mm]	Q [mm]	T [mm]	T [mm]	R	Hardness 45 Sh(A)		Hardness 60 Sh(A)	
												Maximum load [kg]	Deflection [mm]	Maximum load [kg]	Deflection [mm]
CHM 30	12	20	10	9	12	10	33	20	9.5	9.5	1	40	2.0	70	2.5
CHM 50	20	31	19	10	20	14	47.5	31	14	13	2	75	3.7	125	3.5
CHM 65	23	40	24	15	23	17	64	39	22	19	3	115	4.0	250	4.0
CHM 90	25	58	27	22	25	24	89	57	28.6	25	3	250	7.0	440	6.0

Product description

The TF rubber anchor consists of rubber bushing with a vulcanised thread. Suitable for holes with diameters such as d2. It is tightened by the threaded section being drawn toward the large flange.

Application

For hanging equipment Machine houses, agricultural and forestry machines.



Type	d2 [mm]	d3 [mm]	l1 [mm]	l2 [mm]	Thread d1
TF-1	6.6	9	9	3	M3
TF-2	8.5	12	12	3.2	M4
TF-3	10.2	15	14.5	3.5	M5
TF-4	12.7	18	17	4.3	M6
TF-5	16.0	24	22	5.3	M8