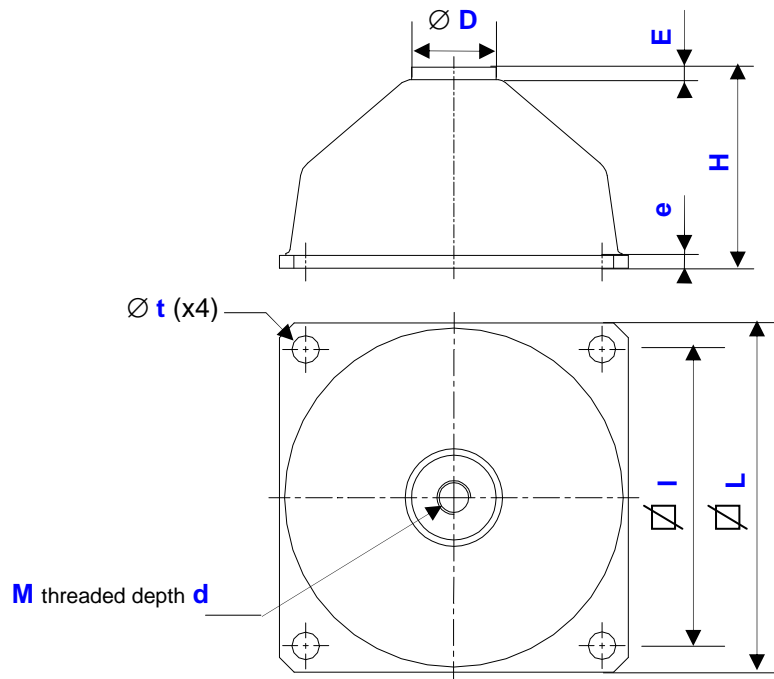


# low frequency elastomer mounts standard line "BF"

series  
**BFC**

## definition



Dimensions in mm



- Multidirectional anti-vibration/shock mounts.
- Displacement under shock up to 38mm (\*).
- Transmissibility :  $Q < 10$ .
- Maximum static loading 3g.
- Resonant frequency between 5 and 10Hz.
- Max peak output at resonance up to 2mm.
- Temperature range : -30°C +100°C.
- Great adaptability/versatility : Specials on request (materials, size and interfaces, etc.).



### Series

Material and finishes

#### BFC

Elastomer :  
polychloroprene  
Top and bottom  
interfaces :  
corrosion protected steel

Other materials  
on request.

### Dimensions et Load

Model	H	L	l	e	D	E	t	M	d	static load (daN)		axial stiffness (N.mm <sup>-1</sup> )	mass (kg)
										mini	maxi		
-11	95	165	138	6	50	5	13	M16	30	30	100	85	2,0
-12										40	140	120	
-13										50	180	150	
-14										70	240	210	
-15										100	380	310	
-16										150	500	470	
-27	113	220	180	10	76	2	17,5	M30	46	180	700	600	9,0
-28										220	900	800	
-29										300	1200	1100	

Example :  
BFC-15

**B F C - 1 5**

Prefix :  
"Low Frequency" mount  
from the BFC series

Model : -15  
height : 95 mm  
width : 165 mm  
interface : M16

min static load : 100 daN  
max static load : 380 daN  
axial stiffness : 310 N.mm<sup>-1</sup>

Note : (\*) Displacement on radial direction limited to 15mm under shock for model 27, 28 & 29

01/07/2013

Socitec  
BP 33, 78501 Sartrouville cedex - France  
Telephone : +33 (0)1 61 04 60 00  
Fax : +33 (0)1 39 14 03 27  
http://www.socitec.com  
e-mail : shock-intl@socitec.com

Document subject to modification without prior notice

