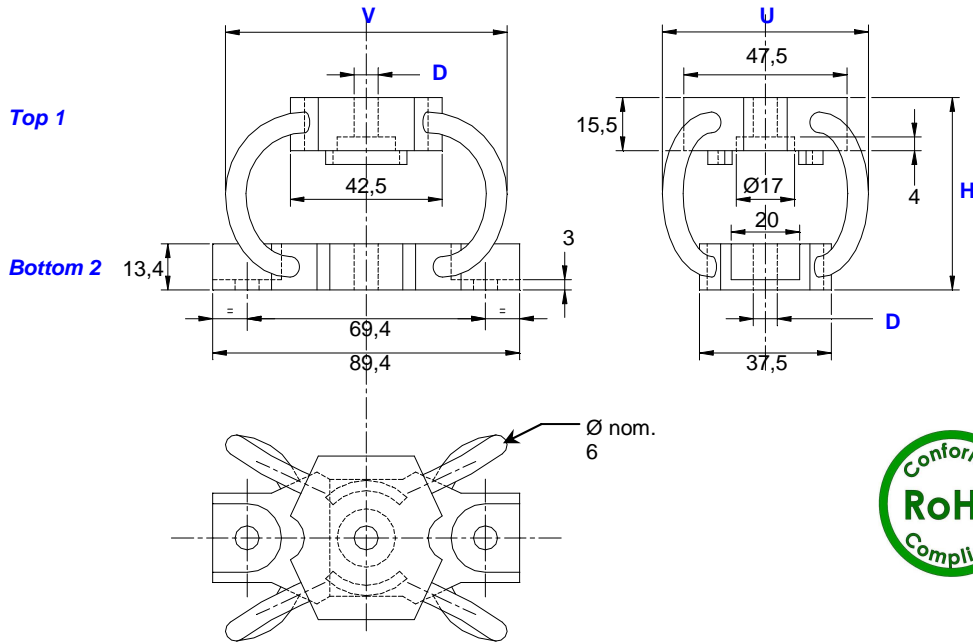


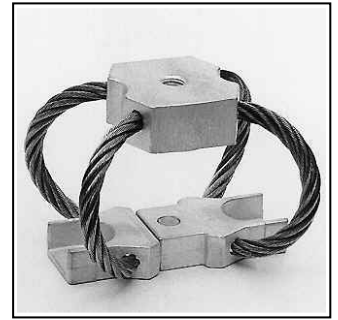
wire rope isolators standard line "Polycal"

series MP8

definition



- All metal multidirectional anti-vibration/shock mounts.
- Exceptional reliability and long life.
- High damping.
- No ageing.
- Corrosion resistant.
- Unequalled temperature range : -180°C +300°C.
- Cheap and quick prototypes from stock.



Dimensions are in mm.

Dimensions for reference only.

Series

Materials and finishes

MP8

Cable :
stainless steel.
Interfaces :
aluminium alloy.
Insert :
stainless steel.

Other materials
on request.

Model

	height H (mm)	width U (mm)	width V (mm)	mass (kg)
-125	56	60	82	0,18
-180	72	78	90	0,20
-230	86	86	103	0,22
-280	102	97	111	0,23

Interfaces

fixture holes

D

Top 1

1 through holes \varnothing 7 mm
(option : M10)

Bottom 2

2 through holes \varnothing 7 mm

Example :
MP8-230

M P 8 - 2 3 0

Prefix :
"Polycal" mount
from the **MP8** series

Model : -230
height : 86 mm
width U : 86 mm
width V : 103 mm
mass : 0,22 kg

01/07/2013

Socitec
BP 33, 78501 Sartrouville cedex - France
Telephone : +33 (0)1 61 04 60 00
Fax : +33 (0)1 39 14 03 27
<http://www.socitec.com>
e-mail : shock-intl@socitec.com



Document subject to modification without prior notice

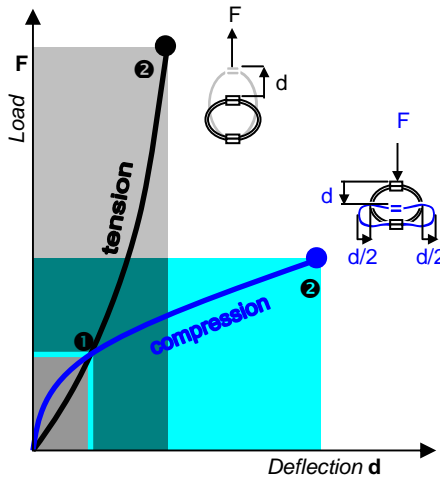
series

MP8

wire rope isolators

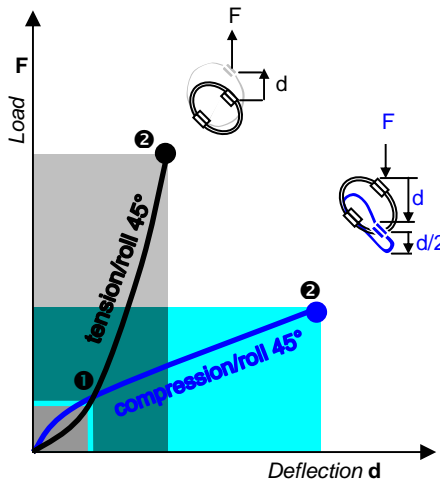
standard line "Polycal"

performances*



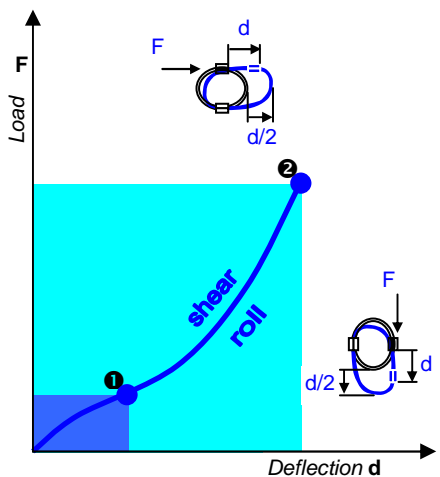
Compression and Tension

MP8 series	Model	-125	-180	-230	-280				
Max static	F daN	14,3	10,6	8,1	6,2				
	1 d mm	4,4	7,1	9,1	11,7				
Max shock	F daN	42,8	31,8	24,4	18,7				
	2 d mm	24	39	51	66				
Max vibration	2a mm	2,6	4,3	5,6	7,3				
	3 f Hz	7,7	5,8	5,0	4,4				
Max static	F daN	14,3	10,6	8,1	6,2				
	1 d mm	3,4	4,9	6,2	8,0				
Max shock	F daN	128	85,6	64,6	49,3				
	2 d mm	15	19	23	30				
Max vibration	2a mm	1,6	2,0	2,6	3,3				
	3 f Hz	11,1	9,3	8,3	7,3				



Compression/roll 45°-Tension/roll 45°

MP8 series	Model	-125	-180	-230	-280				
Max static	F daN	10,7	8,0	6,1	4,7				
	1 d mm	7,3	12,3	16,5	21,3				
Max shock	F daN	26,2	19,0	14,5	11,1				
	2 d mm	36	59	77	99				
Max vibration	2a mm	4,0	6,4	8,4	10,9				
	3 f Hz	6,5	4,8	4,1	3,6				
Max static	F daN	10,7	8,0	6,1	4,7				
	1 d mm	5,3	7,6	9,7	12,5				
Max shock	F daN	94,2	62,1	46,8	35,7				
	2 d mm	19	25	31	40				
Max vibration	2a mm	2,1	2,7	3,4	4,4				
	3 f Hz	9,8	8,3	7,3	6,4				



Shear or roll

MP8 series	Model	-125	-180	-230	-280				
Max static	F daN	7,1	5,3	4,1	3,1				
	1 d mm	8,4	13,6	17,8	23,1				
Max shock	F daN	38,5	24,0	17,9	13,5				
	2 d mm	24	35	45	58				
Max vibration	2a mm	2,6	3,9	5,0	6,4				
	3 f Hz	8,0	6,5	5,7	5,0				

- 1 Max static load (F) with corresponding deflection (d)
- 2 Max shock load (F) with corresponding deflection (d)
- 3 Uncoupled resonant frequency (f) under max static loading 1 and max peak to peak sinusoidal vibration input (2a)

* Important : Performance characteristics are given here for reference only. They can be increased under specific conditions. Contact us.

01/07/2013

Typical shock/vibration specifications :

Ground Forces GAM EG13A, SEFT 001, MIL-STD-810, VG 95332.
 Air AIR 7306, MIL-E-5400, MIL-C-172, MIL-STD-810.
 Marine GAM EG13C, IT25-21/96-31/15-86, MIL-S-167, MIL-S-901, STANAG 042, BV 043.73, BV 044.
 Others GAM EMB1, GAM EMBT4, DEF STAN 07-55, IEC 571, FINABEL 2C.

Socitec
 BP 33, 78501 Sartrouville cedex - France
 Telephone : +33 (0)1 61 04 60 00
 Fax : +33 (0)1 39 14 03 27
 http://www.socitec.com
 e-mail : shock-intl@socitec.com



Document subject to modification without prior notice