

Product Description

Cylindrical machine feet: ADM/ADP types are manufactured in neoprene rubber, where the rubber is vulcanised onto galvanised steel discs with a central thread.

Type ADF is manufactured in natural rubber.

[ALSO AVAILABLE IN AISI 304, AISI 316 STAINLESS STEEL]

When ordering, please use designations RADF, RADM and RADP for stainless version.

Applications

Machine feet can be used for the absorption of noise and vibrations from any installed machinery. The shape of the feet give the machine feet a high static deflection and therefore excellent vibration insulation.

Type ADF is used for smaller machines, instruments, office machines as well as for household and hobby usage.

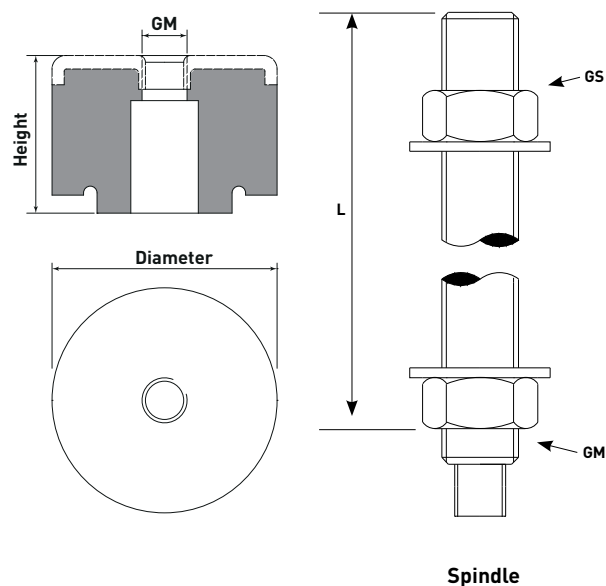
Type ADM/ADP is used particularly for punching machines, milling machines, shearing machines, turning lathes, grinding machines, routers, blowers, fans, compressors, convertors and many more.

Type ADM/ADP can be used where cleaning fluids come in contact with the rubber, due to their neoprene construction.

Accessories

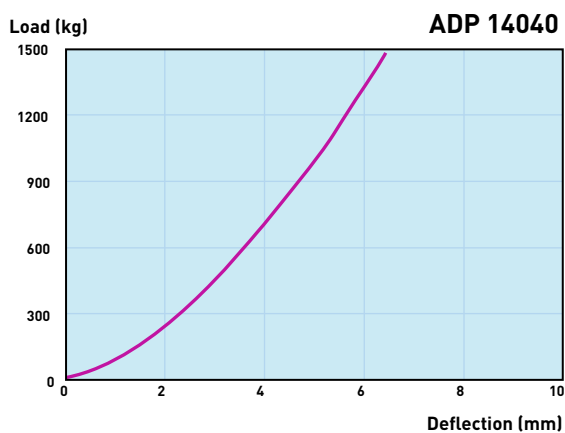
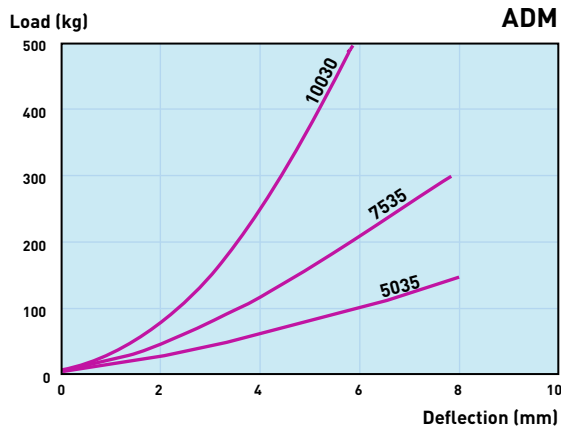
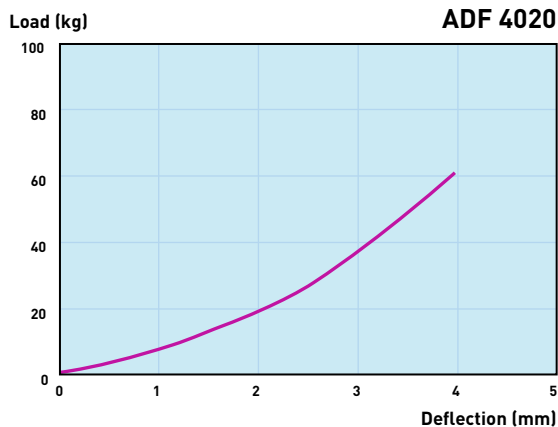
Adjustable spindles and feet plates are available with types ADM and ADP. These are used to link several machine feet if required.

[SPINDLES AVAILABLE IN AISI 316 QUALITY STAINLESS STEEL]

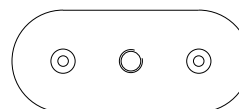


Spindle

Type	Max. Load (kg)	Diameter (mm)	Height (mm)	Thread (GM)	Spindle	
					Thread (GS)	Length (mm)
ADF4020	60	40	20	Ø6.5 hole	-	-
ADM5035	150	50	35	M10	M12	130
ADM7535	300	75	35	M12	M16	130
ADM10030	500	100	30	M12	M16	130
ADP14040	1500	140	40	M16	M24	180



FP 10030/2 Combination plate



	Length (mm)	Width (mm)	Thickness (mm)	Central Thread
FP 10030/2	195	80	10	M16