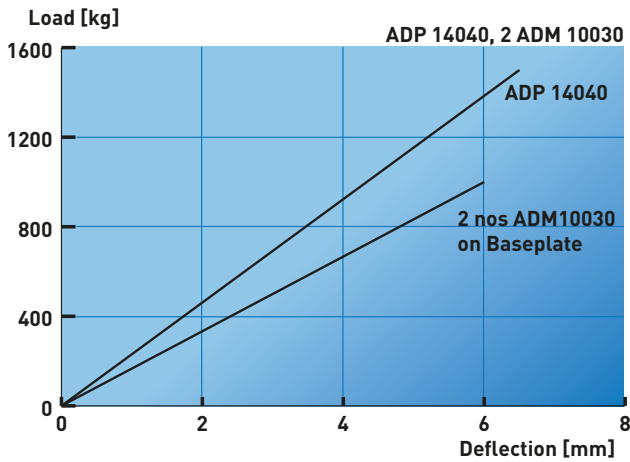
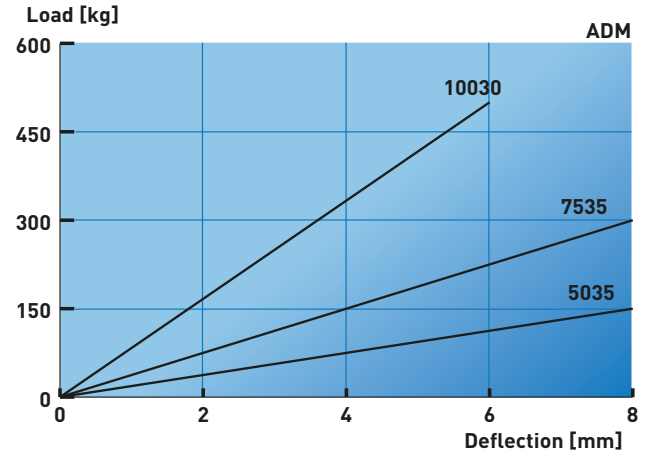
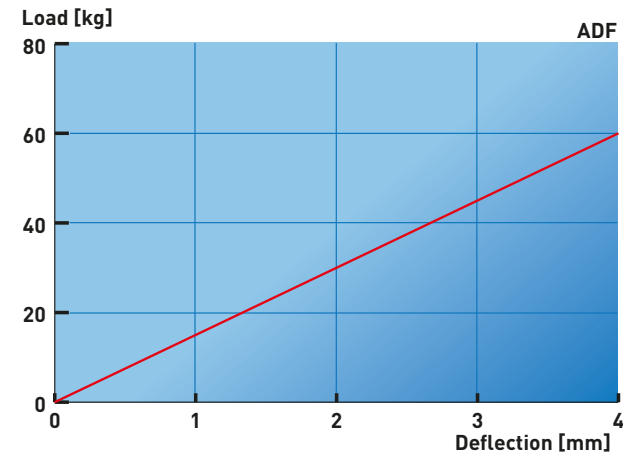


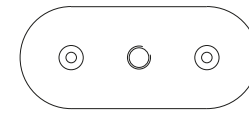
Deflection, static load

ADF/ADM/ADP / MSL

MACHINE FEET, END



FP 10030/2 Base plate



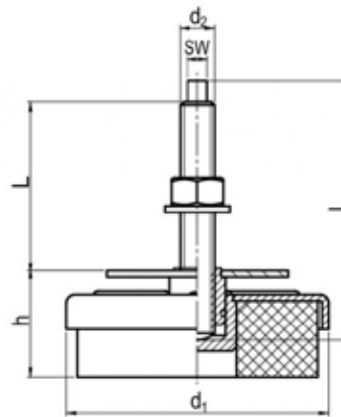
	Length [mm]	Width [mm]	Thickness [mm]	Threaded centre hole
FP 10030/2	195	80	10	M16

Product description

Machine foot MSL can take a large load-to-size ratio. MSL can easily be used to make machines level by turning the threaded rod with a key around SW.

Application

Can be used for a variety of applications, including production machinery, presses, punching machines, and many others.



Type	d1 [mm]	d2 [mm]	h [mm]	l [mm]	L [mm]	Thread SW
MSL-1	80	M12	38-48	100	75-65	8
MSL-2	120	M16	43-55	120	80-68	9
MSL-3	160	M20	48-63	170	125-110	12

Type	Static load [kg]	Max. load at > 200 strokes/min [kg]	Max. load at 200-125 strokes/min [kg]	Max. load at < 125 strokes/min [kg]
MSL-1	600	120	140	200
MSL-2	1500	250	350	400
MSL-3	3000	700	1000	2500