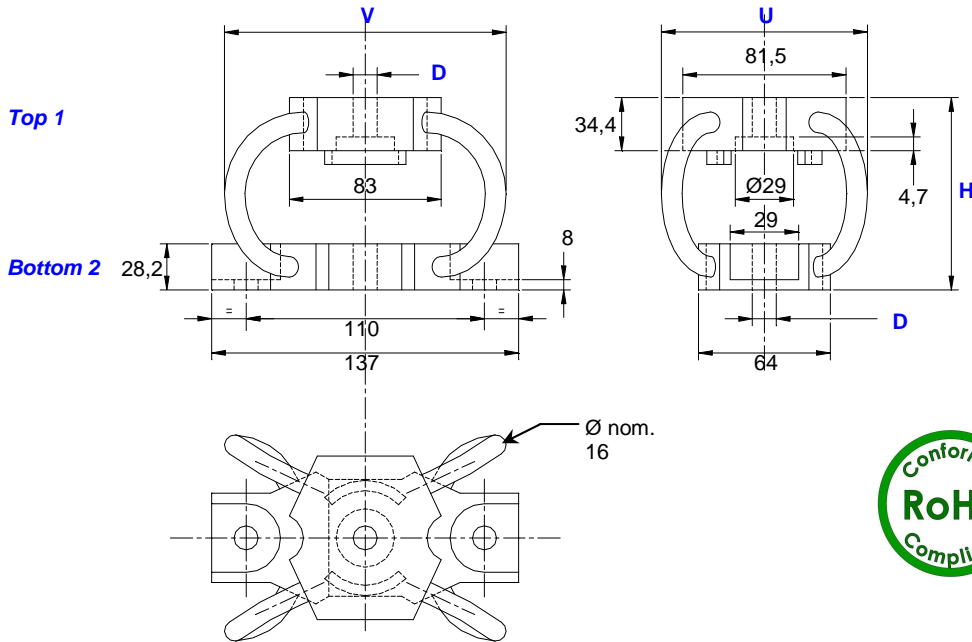


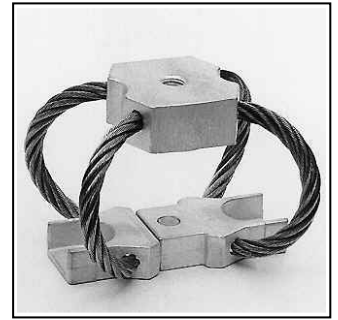
wire rope isolators standard line "Polycal"

series MP15

definition



- All metal multidirectional anti-vibration/shock mounts.
- Exceptional reliability and long life.
- High damping.
- No ageing.
- Corrosion resistant.
- Unequalled temperature range : -180°C +300°C.
- Cheap and quick prototypes from stock.



Dimensions are in mm.

Dimensions for reference only.

Series

Materials and finishes

MP15

Cable :
stainless steel.
Interfaces :
aluminium alloy.
Insert :
stainless steel.

Other materials
on request.

Model

	height H (mm)	width U (mm)	width V (mm)	mass (kg)
-315	131	133	175	1,83
-375	151	151	188	1,93
-415	165	154	190	2,03
-515	192	179	212	2,21
-615	223	200	236	2,41

Interfaces

fixture holes

Top 1

1 through holes \varnothing 13,5 mm
(option : M16)

Bottom 2

2 through holes \varnothing 13,5 mm

Example :
MP15-515

M P 1 5 - 5 1 5

Prefix :
"Polycal" mount
from the **MP15** series

Model : -515
height : 192 mm
width U : 179 mm
width V : 212 mm
mass : 2,21 kg

01/07/2013

Socitec
BP 33, 78501 Sartrouville cedex - France
Telephone : +33 (0)1 61 04 60 00
Fax : +33 (0)1 39 14 03 27
<http://www.socitec.com>
e-mail : shock-intl@socitec.com



Document subject to modification without prior notice

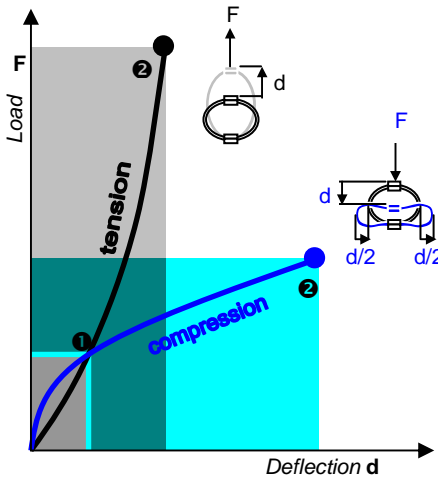
series

MP15

wire rope isolators

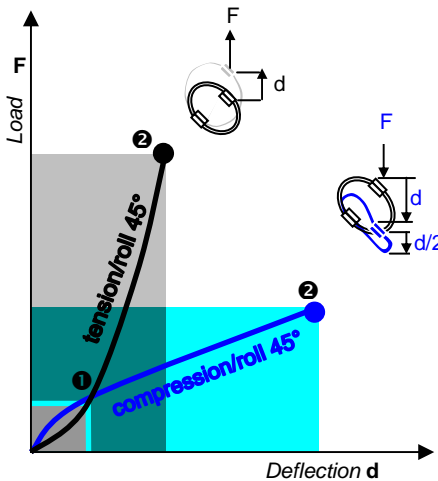
standard line "Polycal"

performances*



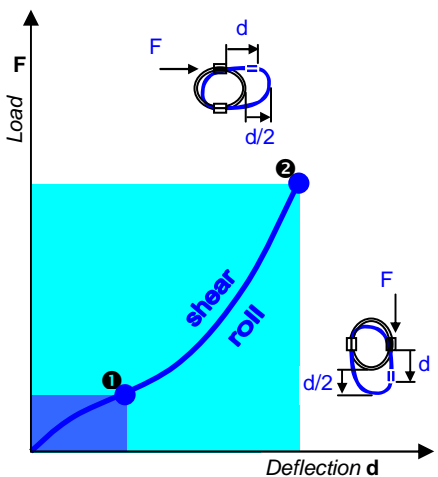
Compression and Tension

MP15 series	Model	-315	-375	-415	-515	-615				
Max static	F daN	101	83,7	84,0	64,5	53,1				
	① d mm	11,4	14,7	17,0	21,4	26,6				
Max shock	F daN	303	251	252	194	159				
	② d mm	62	80	92	116	144				
Max vibration	2a mm	6,8	8,8	10,1	12,8	15,8				
	③ f Hz	4,9	4,3	3,8	3,4	3,0				
Max static	F daN	101	83,7	84,0	64,5	53,1				
	① d mm	9,7	11,9	12,0	15,5	18,4				
Max shock	F daN	988	785	702	548	436				
	② d mm	44	52	47	62	71				
Max vibration	2a mm	4,8	5,7	5,2	6,8	7,9				
	③ f Hz	6,6	6,0	5,9	5,2	4,8				



Compression/roll 45°-Tension/roll 45°

MP15 series	Model	-315	-375	-415	-515	-615				
Max static	F daN	75,6	62,8	63,0	48,4	39,8				
	① d mm	20,3	26,6	31,0	39,5	47,9				
Max shock	F daN	188	155	152	117	95,5				
	② d mm	93	119	138	174	216				
Max vibration	2a mm	10,2	13,1	15,2	19,1	23,8				
	③ f Hz	4,1	3,6	3,1	2,8	2,5				
Max static	F daN	75,6	62,8	63,0	48,4	39,8				
	① d mm	15,0	18,5	18,7	24,1	28,7				
Max shock	F daN	730	577	512	400	317				
	② d mm	58	69	63	82	95				
Max vibration	2a mm	6,4	7,6	7,0	9,1	10,5				
	③ f Hz	5,8	5,3	5,2	4,6	4,2				



Shear or roll

MP15 series	Model	-315	-375	-415	-515	-615				
Max static	F daN	50,4	41,9	42,0	32,3	26,6				
	① d mm	21,7	27,8	32,2	40,6	50,3				
Max shock	F daN	299	234	201	156	122				
	② d mm	68	83	86	110	132				
Max vibration	2a mm	7,4	9,1	9,4	12,0	14,5				
	③ f Hz	4,9	4,4	4,2	3,7	3,4				

- ① Max static load (F) with corresponding deflection (d)
- ② Max shock load (F) with corresponding deflection (d)
- ③ Uncoupled resonant frequency (f) under max static loading ① and max peak to peak sinusoidal vibration input (2a)

* Important : Performance characteristics are given here for reference only. They can be increased under specific conditions. Contact us.

01/072013

Typical shock/vibration specifications :

Ground Forces	GAM EG13A, SEFT 001, MIL-STD-810, VG 95332.
Air	AIR 7306, MIL-E-5400, MIL-C-172, MIL-STD-810.
Marine	GAM EG13C, IT25-21/96-31/15-86, MIL-S-167, MIL-S-901, STANAG 042, BV 043.73, BV 044.
Others	GAM EMB1, GAM EMBT4, DEF STAN 07-55, IEC 571, FINABEL 2C.

Socitec
 BP 33, 78501 Sartrouville cedex - France
 Telephone : +33 (0)1 61 04 60 00
 Fax : +33 (0)1 39 14 03 27
 http://www.socitec.com
 e-mail : shock-intl@socitec.com



Document subject to modification without prior notice