

Product description

FZH Jack Up System for concrete floors is used in recording studios, office environments and in production halls. There may also be other locations where you want to reduce the disturbance from noisy footsteps or other structure-borne noise from entering a room. The system also works in the other direction, so that noisy footsteps or the sound of a drum set inside a studio is optimally deadened in the rest of the building.

Application

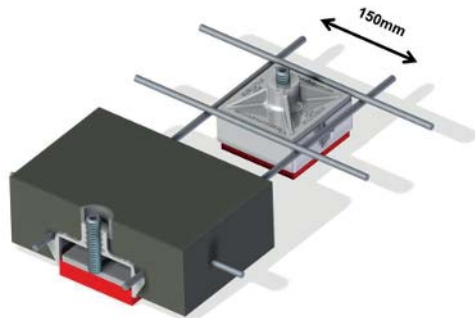
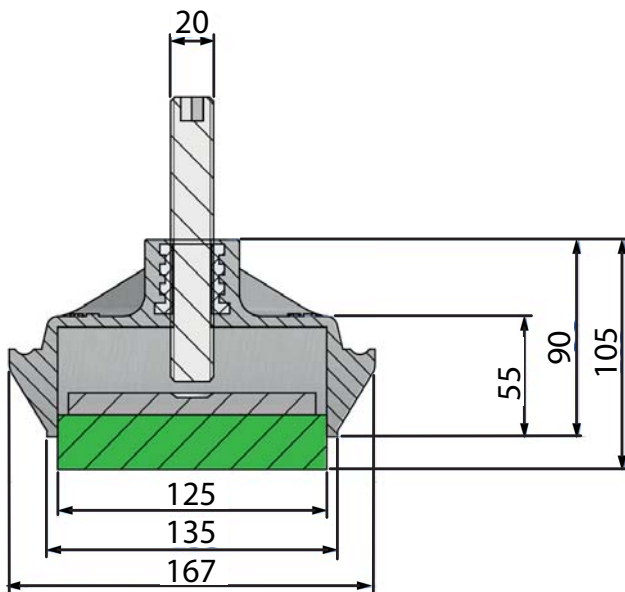
You can choose between 10 different attenuators depending on the load they are subjected to and the natural frequency of the floor you want. See the chart with the various attenuators below.

Usage

Usage is about 1.12 attenuators per m², which varies slightly in relation to the thickness of the concrete and the amount of reinforcement.

Advantages

The system's clear advantage is that it ensures that there is no interference, because when the floor is raised, there is no contact with the sub-floor.



Type	Load [Kg]	Natural frequency [Hz]
FZH140-25	140	11.3
FZH140-37	140	8.9
FZH240-25	240	11.2
FZH240-37	240	8.6
FZH490-25	490	10.5
FZH490-37	490	8.2
FZH800-25	800	11.9
FZH800-37	800	9.1
FZH965-25	965	11.7
FZH965-37	965	8.4