

Product Description

The GE range is an elastic bushing, consisting of two concentric galvanised steel tubes, with a layer of tensile rubber compressed in between.

Applications

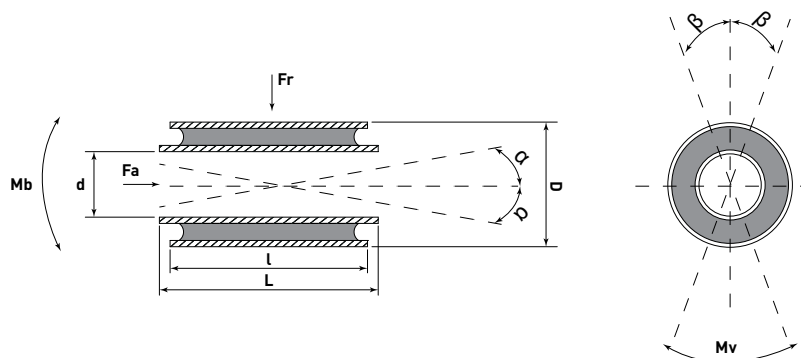
The elastic bush works very well as a flexible connection between machine parts. Since it is the rubber that takes up movement, there is no need to grease the bedding or any other maintenance routines.

The elastic bushing also has good vibration and noise reduction qualities that will make machinery more pleasant to work with. Examples of use are in the flexible connectors in cars, train carriages, tractors, agricultural machines etc.



Tolerances:

d: H 9
D: s 6
l: ± 0.5
L: ± 0.1
60° Sh. ± 5 Sh.



Type	Radial Load		Axial Load		Torsion		Bending		Dimensions (mm)			
	Max. Fr (kg)	Spring Const. (kg/mm)	Max. Fr (kg)	Spring Const. (kg/mm)	Max Mv (Nm)	Max β (degree)	Max Mb (Nm)	Max α (degree)	d	D	L	l
GE1676	11	0.4	5	0.9	1.0	28	2.0	6	6	16	14	12
GE1462	35	0.3	25	1.0	3.5	21	4.9	2	8	16	20	18
GE1652	53	0.3	41	1.1	4.4	21	1.0	2	8	16	28	25
GE1457	95	0.3	68	1.5	9.8	18	9.8	2	10	22	33	30
GE2000	31	0.5	16	1.5	2.9	28	5.9	6	10	25	18	15
GE2104	87	0.3	80	1.5	9.8	22	8.8	4	10	25	28	25
GE1751	55	0.2	39	1.5	9.8	20	5.9	3	12	25	23	20
GE1917	125	0.1	103	1.5	16.7	20	29.4	2	12	25	38	35
GE1223B	230	0.3	284	2.5	31.4	20	61.8	2	14	27	54	50
GE2054	120	0.2	108	2.0	24.5	17	29.4	3	16	32	32	28
GE2117	300	0.3	265	2.0	45.1	17	107.9	2	16	32	54	50