

Product Description

The VP mount consists of two concentric steel tubes with a rubber layer vulcanised between them.

Applications

This mount can be used to great advantage as a solution for bedding problems in mobile appliances and machines or between machine parts that can be flexible in relation to each other. As the rubber supports the movement, this flexible connection does not need to be greased or require maintenance.

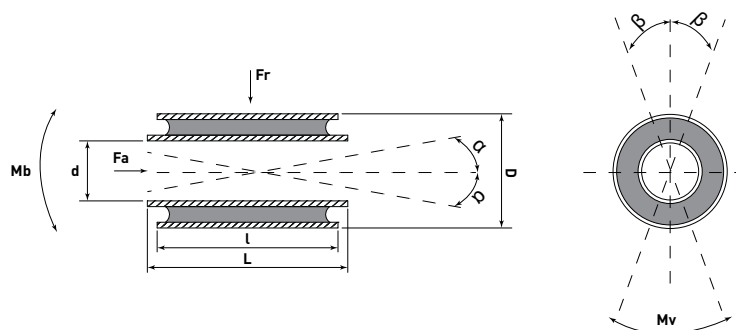
The VP range has a very high noise and vibration insulating properties which makes it ideal for construction machinery.

Examples of use are flexible bushings in cars, train carriages, tractors and agricultural machines etc.



Tolerances:

d: 10-25 ± 0.1
30-50 ± 0.2
D: + 0.25
+ 0.05
l: ± 0.5
L: + 0
- 0.2
60° Sh. ± 5 Sh.



Type	Radial Load		Axial Load		Torsion			Bending			Dimensions (mm)			
	Max. Fr (kg)	Spring Const. (kg/mm)	Max. Fr (kg)	Spring Const. (kg/mm)	Max Mv (Nm)	Max β (degree)	Spring Const. (Nm/degree)	Max Mb (Nm)	Max α (degree)	Spring Const. (Nm/degree)	d	D	L	l
VP10/2525	230	200	75	17	5	15	0.3	6	8	0.7	10	25	25	20
VP10/2540	380	235	150	38	6	15	0.4	38	8	4.8	10	25	40	35
VP15/3530	350	300	150	22	9	15	0.6	12	8	1.5	15	35	30	25
VP15/3550	600	650	250	52	15	15	1.0	120	8	15.0	15	35	30	25
VP20/4540	680	400	260	33	24	15	1.6	45	8	5.6	20	45	40	35
VP20/4575	1350	800	550	82	48	15	3.2	365	8	46.0	20	45	75	70
VP25/5045	900	450	380	45	46	14	3.3	96	8	12.0	25	50	45	40
VP25/5085	1800	1050	750	96	69	14	4.9	730	8	92.0	25	50	85	80
VP30/6055	1200	500	510	53	78	14	5.6	135	8	17.0	30	60	55	45
VP30/60100	2500	2000	1050	115	135	14	9.7	1200	8	150.0	30	60	100	90
VP35/6560	1600	850	660	72	93	12	7.7	180	6	23.0	35	65	60	50
VP35/65110	3150	2940	1300	155	200	11	17.0	1560	6	260.0	35	65	110	100
VP40/7065	2050	1700	830	87	138	12	11.5	290	7	41.0	40	70	65	55
VP40/70120	4000	3775	1800	175	240	11	22.0	2520	6	420.0	40	70	120	110
VP45/7570	2400	2000	1000	110	240	12	20.0	320	7	45.0	45	75	70	60
VP45/75130	4000	4235	2000	215	340	10	34.0	5040	6	840.0	45	75	130	120
VP50/8075	2850	3000	1200	135	275	11	25.0	700	7	100.0	50	80	75	65
VP50/80140	4900	4370	2350	265	450	10	45.0	5160	6	860.0	50	80	140	130