

## Product Description

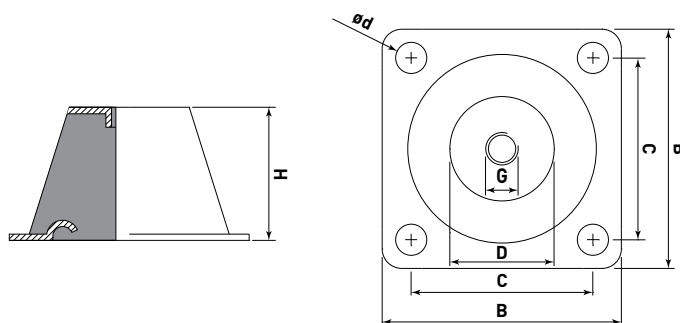
Rubber cones vulcanised onto galvanised steel discs. This vibration mount is manufactured in natural rubber.

The white mounts are also available as hollow versions with lower maximum loadings than the standard solid version.

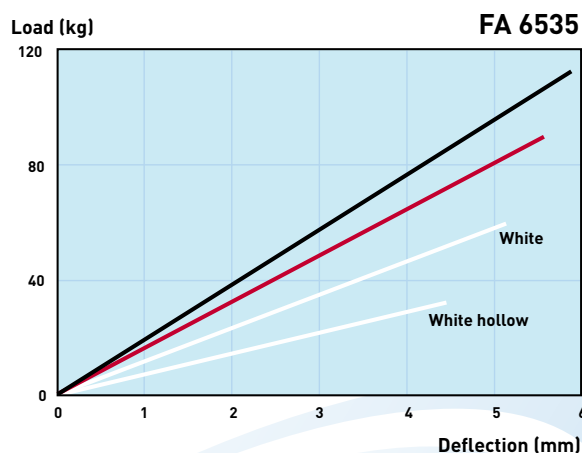
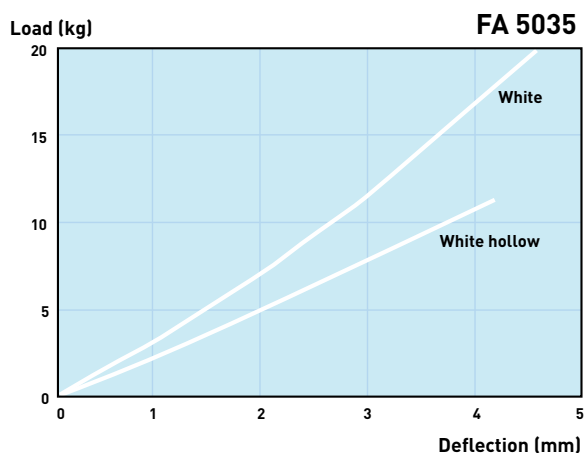
## Applications

This vibration mount is used to insulate against noise and vibrations of smaller machinery and installations, such as smaller fans, pumps, electric motors, compressors, convertors and vibration tables.

These vibration mounts offer good deflection and therefore good vibration isolation. The FA range can also be used for passive insulation against vibrations that come from the outside. For example, with radio transmitters, measuring equipment, navigational instruments as well as insulating against vibrations during transport.



Type	Hardness Rubber Colour	Rubber hardness (Sh.)	Max. Load (kg)	Static Load Deflection (mm)	Dimensions (mm)					
					D	H	G	B	C	$\phi d$
FA5035	White hollow	45	12	4.3	20	35	M8	50	39	5
	White	45	20	4.6						
FA6535	White hollow	45	30	4.5	32	35	M10	65	48	7.5
	White	45	60	5.1						
	Red	55	90	5.6						
	Black	65	120	5.9						



Errors and Omissions Excepted (E&OE).