

Product description

The SCH mounts consist of two rubber parts, wherein one has a metal sleeve internally, reducing wear on the rubber and producing a longer service life.

Technical properties

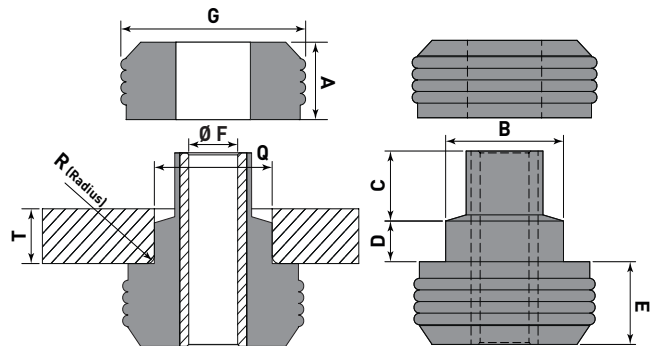
This vibration mount is ideal for large dynamic loads where high stability is required. This might be, for instance, in the drivers' cabs of many types of vehicle. Besides optimum stability, SCH offers good shock and vibration damping

Application

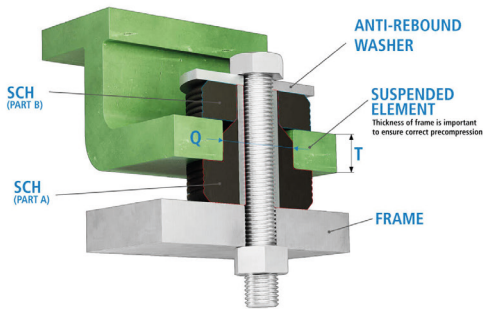
Machine houses, agricultural and forestry machinery.

Assembly instructions

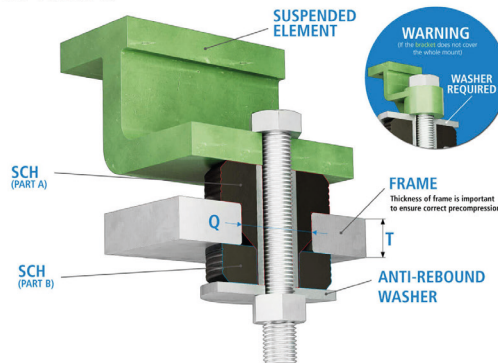
There are two assembly methods, please see "Installation option 1 & 2" at the bottom of the next page. SCH can be installed in plates of different thicknesses depending on the Tmax and Tmin values, which are listed in the table below. The mount's deflection curve will vary depending on the mounting plate's thickness.



INSTALLATION OPTION 1

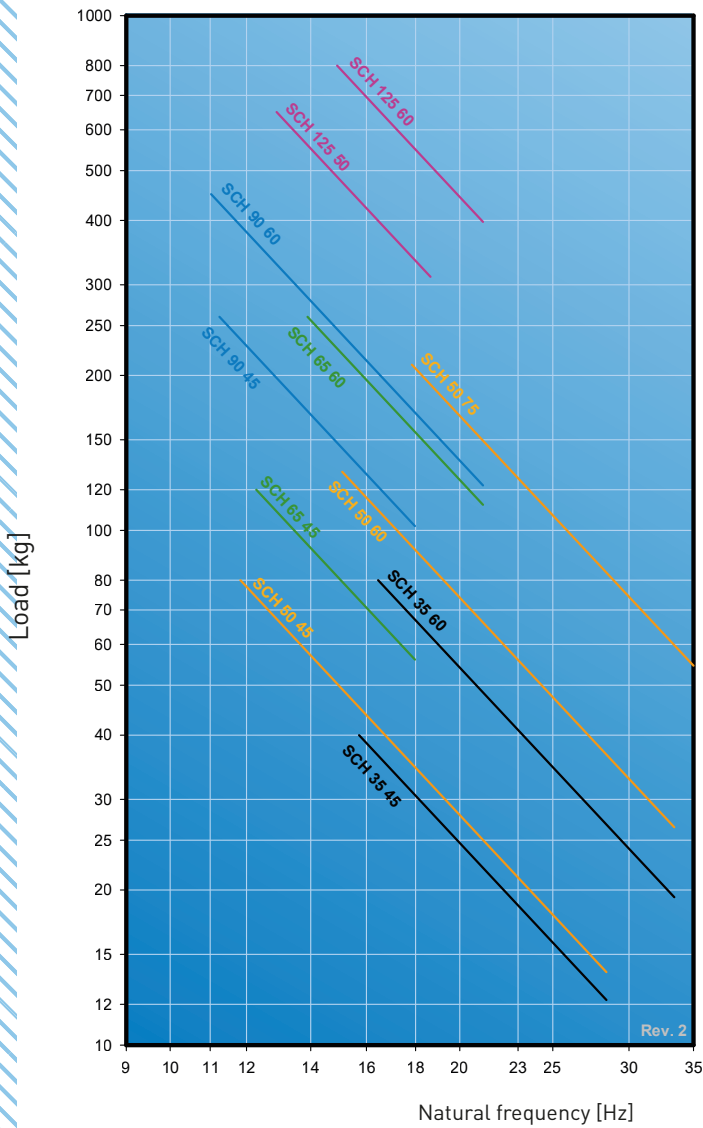


INSTALLATION OPTION 2

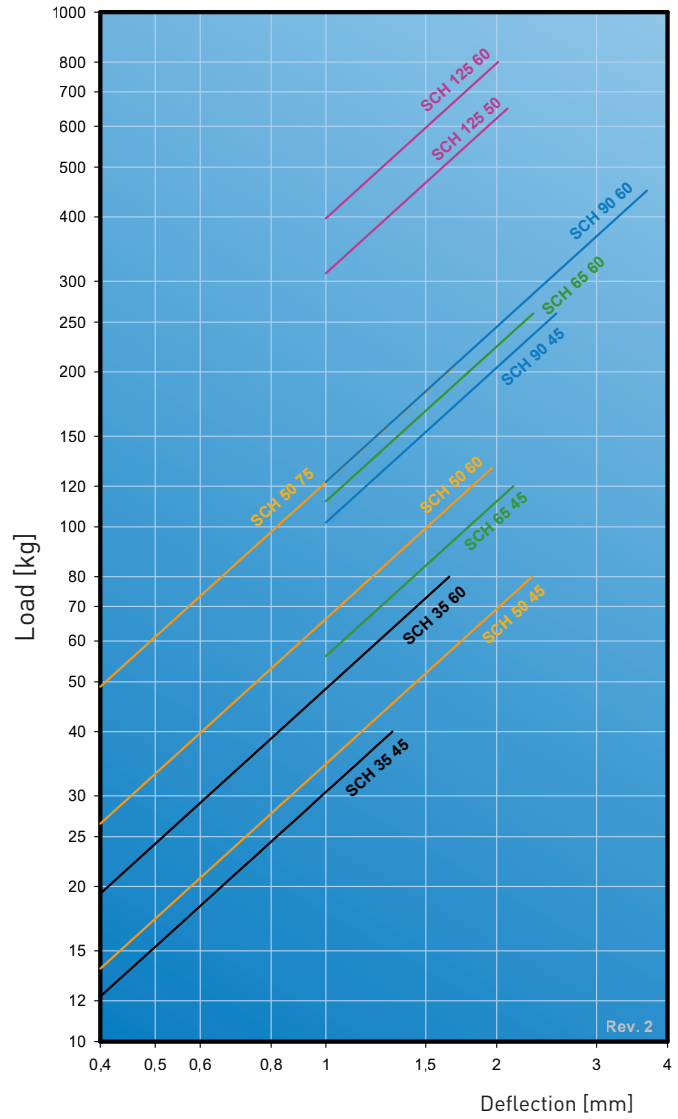


Type	A [mm]	B [mm]	C [mm]	D [mm]	E [mm]	Ø F [mm]	G [mm]	Q [mm]	T [mm]	T [mm]	R	Mount weight [g]
SCH 35	11	20,1	11	4	11	8,1	33,5	19,1	6	6	1	94
SCH 50	20	31	19,5	10,5	20	13,5	49	30,5	14	12,5	1,5	153
SCH 65	23	39,5	24	15	23	17	63,5	38,5	22	19	2,5	350
SCH 90	25	58	31	17	25	23	88	57	29	25	3	675
SCH 125	32	65	33	22	32	27	126	64	32	25	3	1440

Natural frequency of SCH



Deflection for SCH



Type	Hardness 45 Sh(A)		Hardness 50 Sh(A)		Hardness 60 Sh(A)		Hardness 75 Sh(A)	
	Max. load [kg]	Deflection [mm]	Max. load [kg]	Deflection [mm]	Max. load [kg]	Deflection [mm]	Max. load [kg]	Deflection [mm]
SCH 35	40	1.3			80	1.6		
SCH 50	80	2.0			130	1.35	210	1.1
SCH 65	120	1.8			260	1.65		
SCH 90	260	2.3			450	1.4		
SCH 125			650	2.4	800	2.4		