

Product Description

The CH1 range is designed for suspension of false acoustic ceilings and machinery operating at more than 450 RPM. (7.5Hz) for loads ranging from 25–350kg.

Components

The spring rests on a rubber sleeve to avoid contact between the steel frame and the threaded rod.

Elastical Characteristics

For: CH1-150, CH1-250 and CH1-350, the vertical natural frequency is from 1.6 to 4Hz.

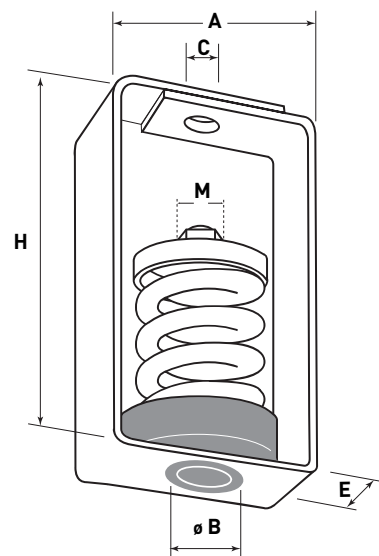
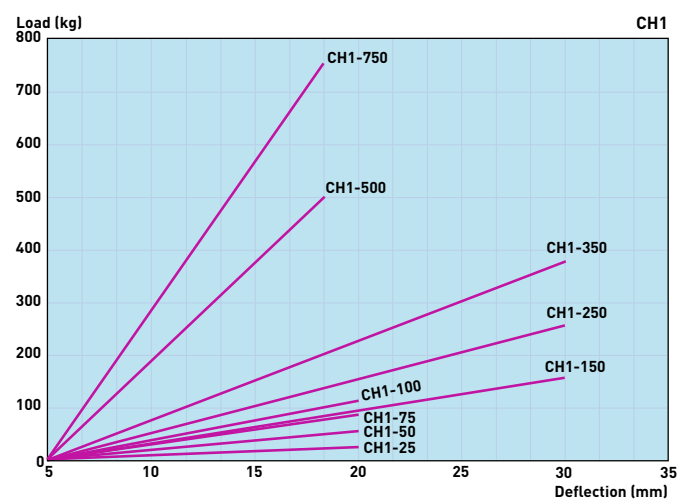
For: CH1-25 to CH1-100, the vertical natural frequency is from 3 to 5Hz.

Installation Instructions

Remove the spring and rubber sleeve and you are ready to fasten the mount in the ceiling.

Replace the rubber sleeve, spring and spring cap.

Thread the drop-rod through the spring and bolt in place.



Type	A mm	H mm	B Ø mm	C Ø mm	E mm	M
CH1-25	75	120	30	12	50	M8
CH1-50	75	120	30	12	50	M8
CH1-75	75	120	30	12	50	M8
CH1-100	75	120	30	12	50	M8
CH1-150	120	160	30	16	80	M12
CH1-250	120	160	30	16	80	M12
CH1-350	120	160	30	16	80	M12
CH1-500	140	180	30	18	100	M14
CH1-750	140	180	30	18	100	M14

Errors and Omissions Excepted (E&OE).