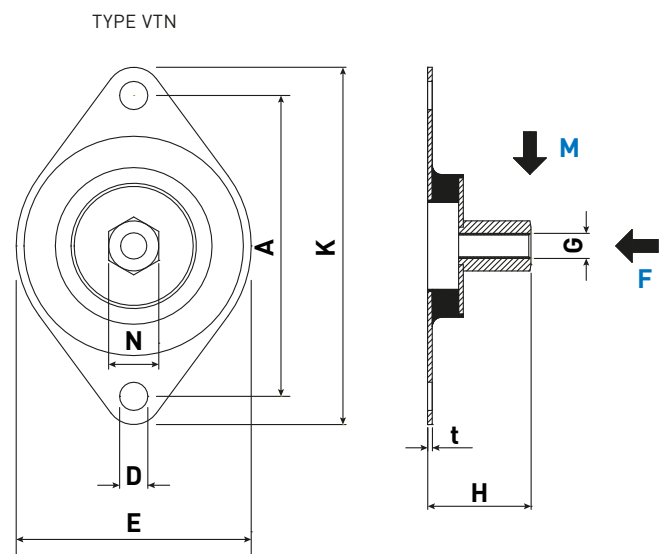
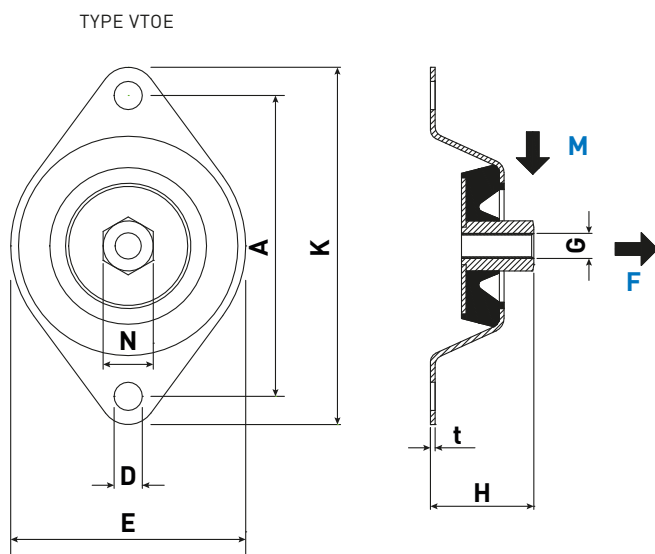


Product description

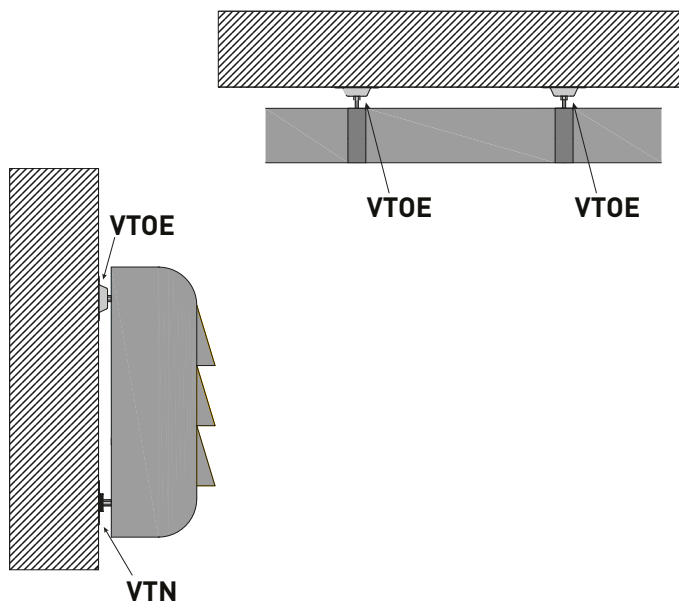
Anti-vibration mount with rubber vulcanised to the galvanised metal parts. Type VTOE is a secured type mount which, when overloaded or if the rubber breaks, will still keep the mounted equipment in place.

Application

- VTOE is used as the upper mount when mounting electrical cabinets or other equipment on vertical surfaces.
- VTN is used as the lower bracket and is not secured.
- VTOE can also be used for equipment which is mounted on ceilings.



Example



| Model | 40 Sh(A) | | 60 Sh(A) | |
|-------|------------|------------|------------|------------|
| | M max [kg] | F max [kg] | M max [kg] | F max [kg] |
| VTOE | 14 | 30 | 25 | 70 |
| VTN | 14 | 30 | 25 | 70 |

| Dimensions [mm] | A | D | E | G | H | O | N | t |
|-----------------|----|---|----|----|----|-----|----|-----|
| VTOE | 96 | 9 | 75 | M8 | 33 | 114 | 15 | 1.5 |
| VTN | 96 | 9 | 75 | M8 | 33 | 114 | 15 | 1.5 |