

### Product Description

Cylindrical machine feet: ADM/ADP types are manufactured in neoprene rubber, where the rubber is vulcanised onto galvanised steel discs with a central thread.

Type ADF is manufactured in natural rubber.

**[ ALSO AVAILABLE IN AISI 304, AISI 316 STAINLESS STEEL ]**

When ordering, please use designations RADF, RADM and RADP for stainless version.

### Applications

Machine feet can be used for the absorption of noise and vibrations from any installed machinery. The shape of the feet give the machine feet a high static deflection and therefore excellent vibration insulation.

Type ADF is used for smaller machines, instruments, office machines as well as for household and hobby usage.

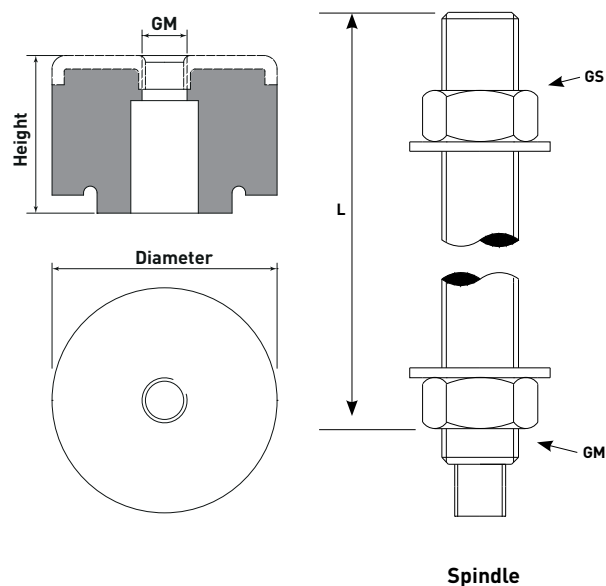
Type ADM/ADP is used particularly for punching machines, milling machines, shearing machines, turning lathes, grinding machines, routers, blowers, fans, compressors, convertors and many more.

Type ADM/ADP can be used where cleaning fluids come in contact with the rubber, due to their neoprene construction.

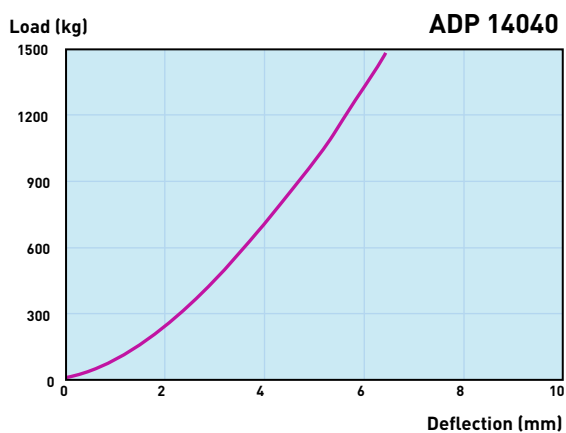
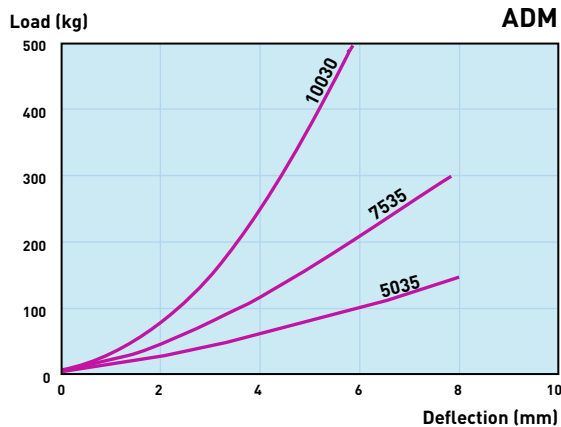
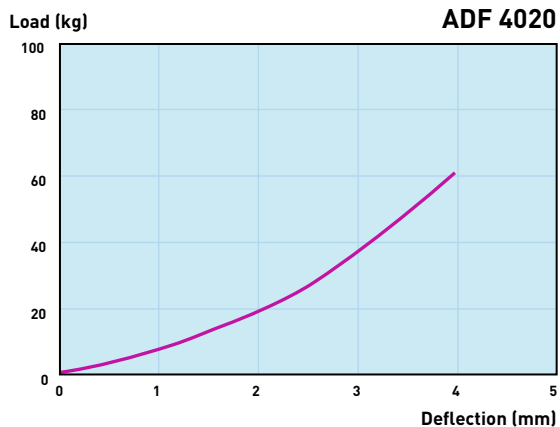
### Accessories

Adjustable spindles and feet plates are available with types ADM and ADP. These are used to link several machine feet if required.

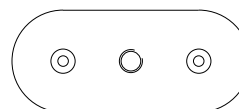
**[ SPINDLES AVAILABLE IN AISI 316 QUALITY STAINLESS STEEL ]**



Type	Max. Load (kg)	Diameter (mm)	Height (mm)	Thread (GM)	Spindle	
					Thread (GS)	Length (mm)
ADF4020	60	40	20	Ø6.5 hole	-	-
ADM5035	150	50	35	M10	M12	130
ADM7535	300	75	35	M12	M16	130
ADM10030	500	100	30	M12	M16	130
ADP14040	1500	140	40	M16	M24	180



FP 10030/2 Combination plate



	Length (mm)	Width (mm)	Thickness (mm)	Central Thread
FP 10030/2	195	80	10	M16