

Produktbeskrivelse

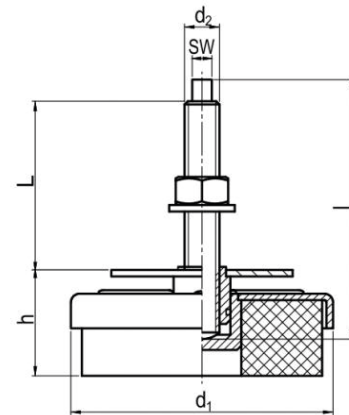
Machine foot MSL can take a large load-to-size ratio. MSL can easily be used to make machines level by turning the threaded rod with a key around SW.

The damper is made of natural rubber with a hardness of 70Sh(A).

Application

Can be used for a variety of applications, including

- Production machinery
- Presses
- Punching machines
- Milling machines
- Machine-scissors
- Lathes
- Grinding machines
- Woodworking machines
- Blowers
- Ventilators
- Compressors
- Converters etc.



Type	d1 [mm]	d2 [mm]	h [mm]	l [mm]	L [mm]	Thread SW
MSL-1	80	M12	38-48	100	75-65	8
MSL-2	120	M16	43-55	120	80-68	9
MSL-3	160	M20	48-63	170	125-110	12

Type	Static load [kg]	Max. load at > 200 strokes/min [kg]	Max. load at 200-125 strokes/min [kg]	Max. load at < 125 strokes/min [kg]
MSL-1	600	120	140	200
MSL-2	1500	250	350	400
MSL-3	3000	700	1000	2500