

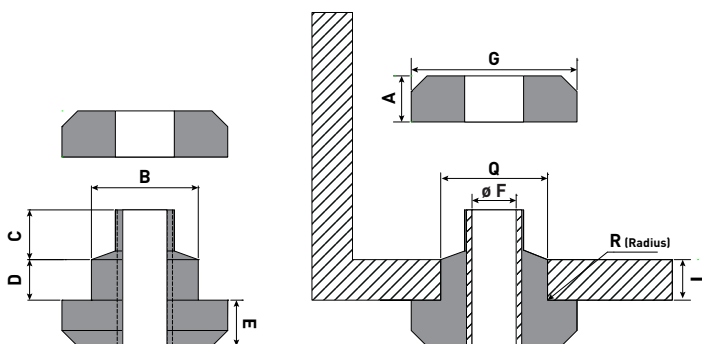
### Product Description

The SCV mount consists of two rubber parts, where the centre of the mount has a metal tube embedded to reduce wear on the rubber, giving a longer life.

This vibration mount is ideal for use where there are large dynamic loads, and where a high level of stability is required. This could, for example be under the cab of many types of vehicles. The SCV mount offers a good level of damping against shock and vibration.

### Applications

Vehicle cabs, agricultural and forestry machinery



Type	A (mm)	B (mm)	C (mm)	D (mm)	E (mm)	Ø F (mm)	G (mm)	Q (mm)	T (max)	T (min)	R	45 Sh.		60 Sh.	
												Max. load (kg)	Deflection (mm)	Max. load (kg)	Deflection (mm)
SCV 30	12	20	10	9	12	10	33	20	9.5	9.5	1	40	2.0	70	2.5
SCV 50	20	31	19	10	20	14	47.5	31	14	13	2	75	3.7	125	3.5
SCV 65	23	40	24	15	23	17	64	39	22	19	3	115	4.0	250	4.0
SCV 90	25	58	27	22	25	24	89	57	28.6	25	3	250	7.0	440	6.0