

## Product Description

Captive mounts are designed with an integral overload stop, which controls the movement of equipment during transit and provides a fully failsafe arrangement suitable for both mobile and static applications.

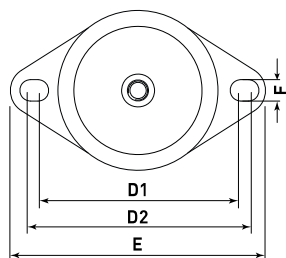
A universal mounting, popular in a wide range of applications. Cost effective, high performance and easy to install. The rubber is used in shear / compression providing optimum performance and offers a high level of vibration reduction. The metal cap provides UV and weathering protection and shielding from contaminants such as oil and fuel. Load Rating from 35kg to 4000kg

## Applications

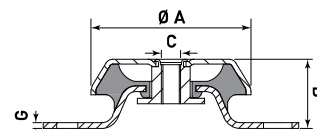
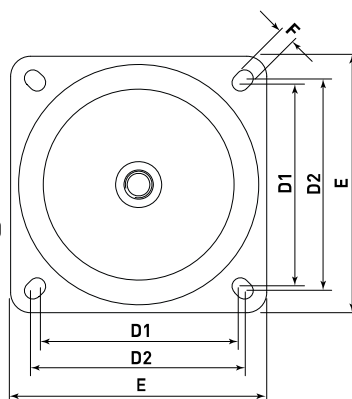
Include: diesel engines generator sets, pumps, compressors, vehicles, marine engines, construction plant, marine plant, mobile plant and fans.



CMH060  
CMH070  
CMH080  
CMH110  
CMH150



CMH180  
CMH220



Type	A Ø (mm)	B (mm)	C	D1 (mm)	D2 (mm)	E (mm)	F (mm)	G (mm)
CMH060	63	35	M10 or M12	76	90	110	9	2.5
CMH070	65	35	M12	100	-	120	15	3
CMH080	83	35	M10 or M12	108	110	135	11	3
CMH110	106	42	M12 or M16	138	146	171	12.5	3
CMH150	155	53	M16	176	188	216	14	4
CMH180	183	86	M20	146	-	180	14.5	5
CMH220	220	105	M24	180	-	220	17.5	6

Type	40 Sh.		45 Sh.		50 Sh.		60 Sh.		70 Sh.	
	Max. load (kg)	Deflection (mm)	Max. load (kg)	Deflection (mm)	Max. load (kg)	Deflection (mm)	Max. load (kg)	Deflection (mm)	Max. load (kg)	Deflection (mm)
CMH060	35	3.5	-	-	-	-	60	3.5	100	3.5
CMH070	50	4.0	-	-	-	-	120	3.5	-	-
CMH080	70	6.0	-	-	-	-	190	6.0	-	-
CMH110	200	7.0	-	-	360	7.0	500	7.0	625	7.0
CMH150	-	-	500	12	-	-	800	12.0	1800	10.0
CMH180	900	15.0	-	-	1200	14.0	1700	14.0	-	-
CMH220	-	-	1500	18.0	-	-	3000	18.0	4000	15.0

